

ProLine 6100

Pallet truck scale with programmable scale functions

BENEFITS

- Superb accuracy
- Rotating indicator
- Programmable scale functions
- RS232, RS485, 4-20 mA, 0-10V output
- For parts counting and special applications

The hi-tech standard
Extremely accurate



RAVAS PROFESSIONAL LINE

RAVAS

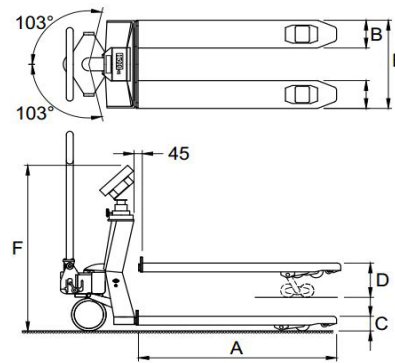
FUNCTIONS

- Automatic and manual zero correction
- Gross/net weighing
- Automatic and manual tare through numeric keypad
- Entry of alphanumeric codes (max. 10 characters)
- Internal memory for 9 pre-set tare values
- Totalling with sequence number
- Piece counting by sampling or calculation of piece weights
- Functions through parameters:
 - different print layout (on demand)
 - different basic functionality (e.g. dosing)
- Error messages in display
- Printer power supply is switched on and of by the indicator
- Internal clock for date and time

STANDARD SPECIFICATIONS

- Weighing capacity 2,000 kg
- Graduation multirange:
 - 0 - 200 kg: graduation 0.1 kg
 - 200 - 400 kg: graduation 0.2 kg
 - 400 - 2,000 kg: graduation 0.5 kg
- Max. tolerance 0.08% of the load lifted
- Display LCD, digit height 14 mm, backlight
- Foil keypad 20 keys
- Protection class load cells IP67, indicator IP65
- Power consumption 170 mA
- Battery 12V exchangeable
- Battery life 25 hours
- Charger 230V NiMH charger included
- Steering wheels rubber
- Loading wheels polyurethane, tandem
- Colour red (RAL 3000), epoxy painted
- Truck with ergonomic lift, 180 kg

DIMENSIONS IN MM



| | Standard Chassis | Stainless Steel |
|---------------------------|------------------|-----------------|
| A Fork length | 1150 | 1150 |
| B Fork width | 160 | 160 |
| C Minimum fork height | 90 | 87 |
| Minimum clearance | 22 | 22 |
| D Maximum fork height | 205 | 205 |
| Lifting height | 115 | 120 |
| E Width over forks | 550 | 550 |
| F Height to top indicator | 1185 | 1185 |

Loading wheels

- type: PU tandem yes no
- type: Nylon tandem no yes

Steering wheels

- type: rubber yes no
- type: nylon no yes



• ISO 9001
• ISO 14001

OPTIONS*

- Client specific software (see ProLine Touch)
- 2 extra exchangeable batteries
- Built-in thermal printer
- Bluetooth or WLAN output
- Legal for trade version, OIML III
- Premium quality stainless steel pallet truck

RAVAS Europe B.V.

P.O. Box 2023, NL-5300 CA Zaltbommel, The Netherlands
T. +31 (0)418 51 52 20, F. +31 (0)418 51 53 20
backoffice@ravas.com, www.ravas.com

* The use of options may change related specifications. rev.20180924 Changes reserved

