

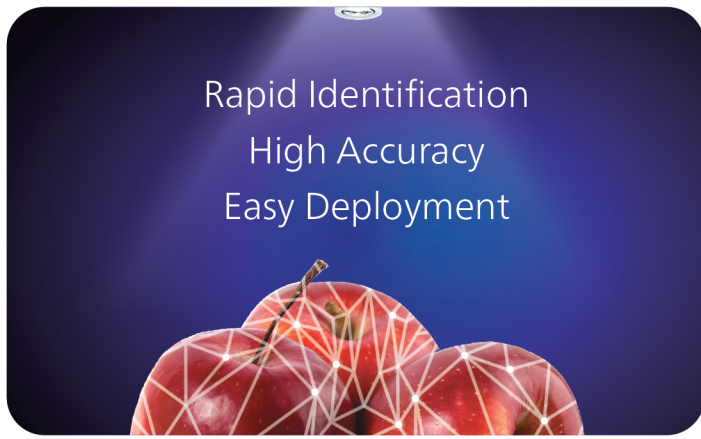


# SM-6000 SSP SMART

AI - Powered Smart Recognition Scale



*Searching for a New Balance*



Rapid Identification  
High Accuracy  
Easy Deployment

SM-6000 SSP SMART's built-in Edge computing AI module helps retailers harness the power of enterprise-grade cognitive intelligence, enabling rapid and accurate product identification for a seamless self-weighing experience.

### Benefits

- Integrated AI module with camera for swift deployment
- Optimised image processing with Edge computing
- Simple self-weighing with minimal touchpoints
- Reduces mis-selection and shrinkage
- Consistent performance on different eco grocery bags
- Built-in LED ensures optimal detection even in low light conditions

### 3 Simple Steps



#### 01 WEIGH

Place item onto the scale platter



#### 02 SELECT

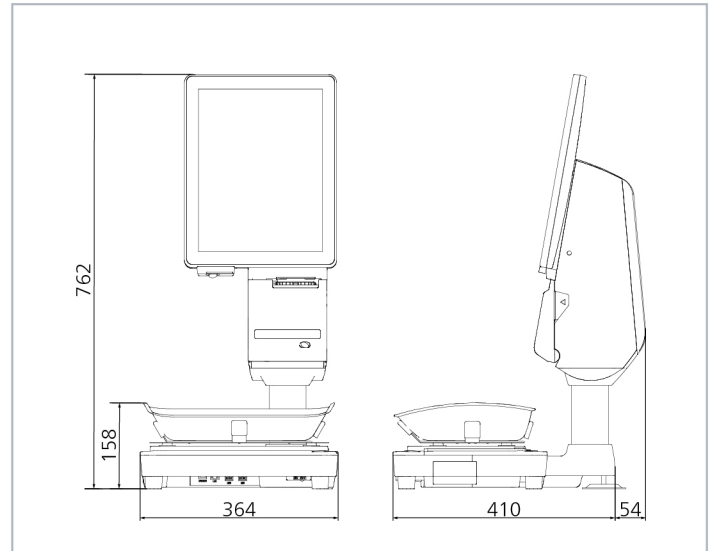
AI generates best-matched results for easy PLU selection



#### 03 PRINT / SCAN

Print label and paste onto the bag. Alternatively, scan QR code on screen.

### External Dimensions (mm)



### Specifications

Capacity	Resolution	Max 6kg	Max 15kg / 30lb	Max 30kg
Single Interval	1 / 3,000	e = 2g	e = 5g / 0.01lb	e = 10g
	1 / 6,000	e = 1g	—	e = 5g
	1 / 7,500	—	e = 2g	—
Capacity	Resolution	Max 3 / 6kg	Max 6 / 15kg	Max 15 / 30kg
Multi Interval	1 / 3,000	e = 1 / 2g	e = 2 / 5g	e = 5 / 10g

Model	SM-6000 SSP SMART	
Dimension WxDxH(mm)	364 x 464 x 762	
Operator Display	15" TFT XGA with Capacitive Touch (768 x 1024)	
Camera	480p in resolution with built-in LED	
Label / Receipt	Types	Linerless With Auto-Cutter
	Roll Diameter	Max 95mm
	Roll Width	Max 62mm
	Print Width	Max 61mm
	Printing Speed	Max 150mm / second*
	Print Resolution	300 dpi
Power Source	Compliance to 80PLUS Power Saving**	
Operating Temperature	-10°C to +40°C	
Humidity	15% to 85% RH Non-Condensation	
Standard Interface	Ethernet 10 / 100 Base T, 4 x USB 2.0, RJ11	
Net Weight	16.7 kg	

Options	Wireless LAN IEEE 802.11 a / b / g / n / ac, InfoTag e.Label with Hi-Touch, Base Station, Speed ID
Factory Option	Auto Tilt Sensor



\* To achieve maximum print speed, high sensitivity thermal paper is necessary.  
\*\* 100-120Vac Gold (North America, Canada and Japan)  
210-240Vac Silver (European, UK and most of Asia)



• Specifications are subject to change without prior notice  
• Meet or exceed OIML Class III requirements

### DIGI SINGAPORE PTE. LTD.

4 Leng Kee Road #05-02/03/04/05/11/12  
SIS Building SINGAPORE 159088  
TEL : +65 6472 2996  
SALES: +65 6378 5387  
FAX : +65 6863 4614  
URL : www.digisystem.com/sg/  
E-MAIL : customer\_support@sg.digi-group.com

### TERAOKA SEIKO Co., Ltd.

13-12 Kugahara 5-chome, Ohta-ku,  
Tokyo 146-8580, JAPAN  
TEL : +81-3-3752-2131  
FAX : +81-3-3752-5562  
URL : www.digisystem.com